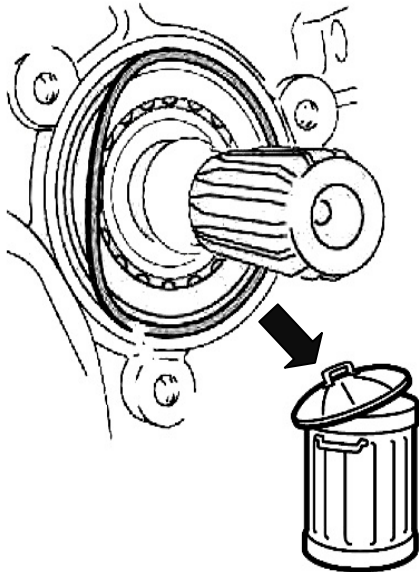




Cylinder Fitment Sequence

1

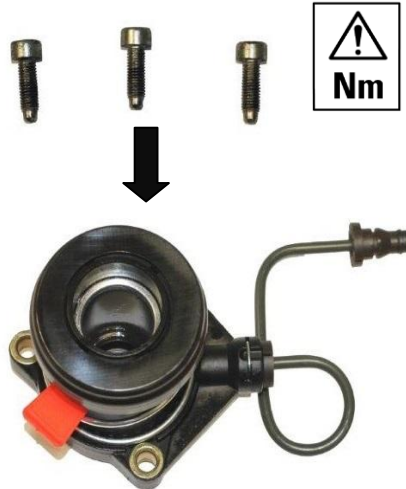
Remove and discard the used 'O' ring seal



Install cylinder with the new backplate 'O' ring supplied.

2


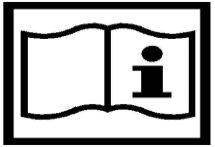

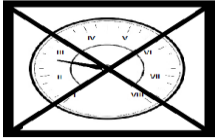
Follow the vehicle manufacturers torque setting.



3

Remove the transport clip after fitment



	<p>Correct Handling</p>	<p><u>Do not manually operate/compress the unit.</u></p> <p>Incorrect handling of this part may cause premature failure. This unit contains seals which may become dislodged, or chafe if handled incorrectly.</p>
	<p>Suitable Clutch Fluid</p>	<p><u>Use vehicle manufacturers specified fluid only.</u></p> <p>(DOT 3, DOT 4 or DOT 5.1 – Please check for suitability). Do not mix fluids, as not all DOT fluid is compatible.</p>
	<p>Grease & Cleaning</p>	<p><u>Do not use grease or cleaner on the unit.</u></p> <p>This unit is pre-lubricated during manufacture with a special high performance lubricant for maximum heat resistance.</p> <p>Any exposure from grease, brake cleaner, silicone based spray or petroleum based product will have an adverse reaction with the seals.</p>
	<p>Pressure Bleeding</p>	<p><u>We do not advise the use of pressure bleeding systems.</u></p> <p>Some systems run at a high pressure setting which can exceed the maximum pressure rating of the cylinder. This can result in damaged internal seals &/or guide tube collar.</p>