

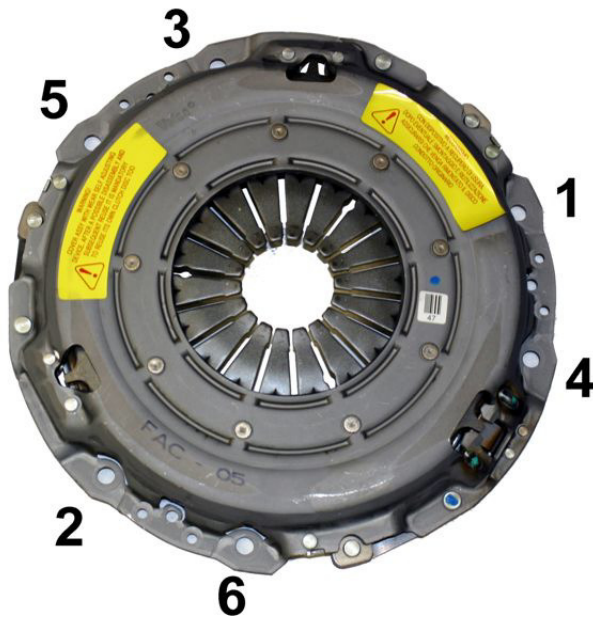
Self Adjusting Clutch (Style SAC5)

Important Fitment Advice

This part number design is a self adjusting clutch with a worm gear adjustment system.

The units are factory set for optimal adjustment.

Non-sequential tightening of the flywheel bolts can cause the unit to adjust unevenly resulting in clearance problems.



Fitment Notes:

When fitting it is essential to follow these instructions:

- **Locate the clutch on the flywheel alignment pins**
- **Gently screw down in a opposite numbered sequence (as shown above).**