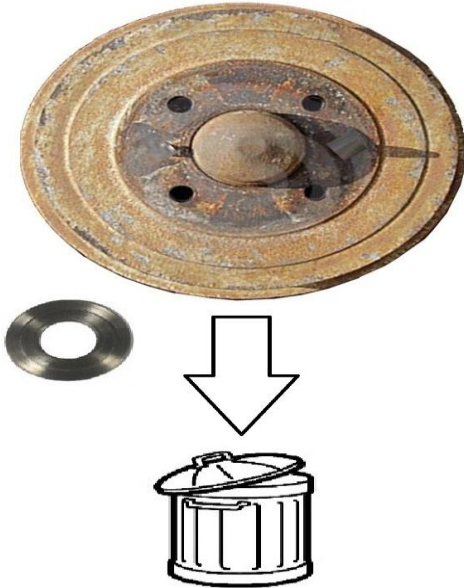




Replace Drum Washer On Fitment

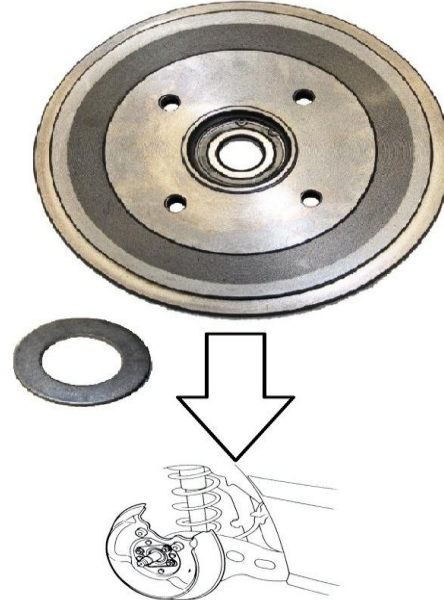
1

Remove and discard the drum & washer



2

Fit the replacement drum kit with the washer supplied.



Please be aware there are several designs of O/E wheel bearing washers for this application. The aftermarket washer supplied in this brake drum kit is a suitable replacement for both designs.