

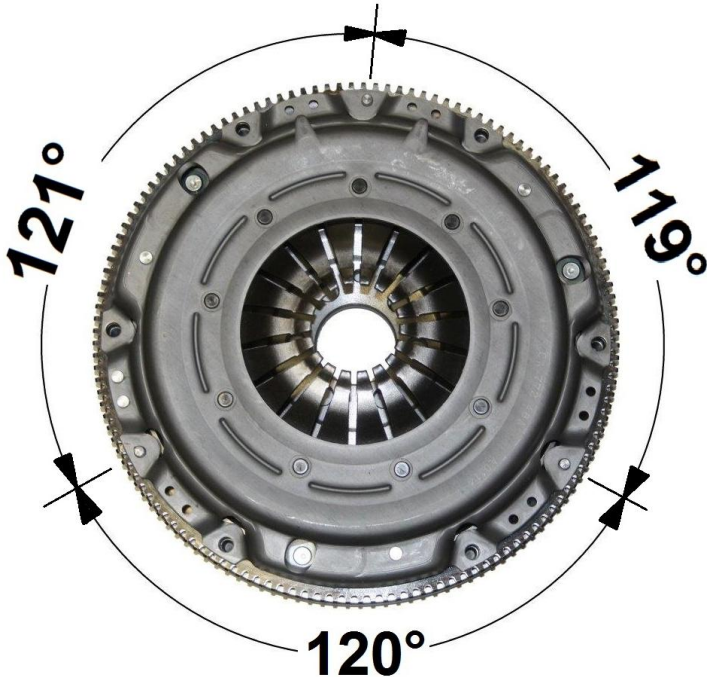


Fitment advice – Offset dowel positions

This cover assembly is intentionally designed with offset dowels to ensure the timing sensor pins are aligned correctly.



Offset dowel position around the two timing sensor pins.



The cover assembly will only fit in one position on the flywheel.